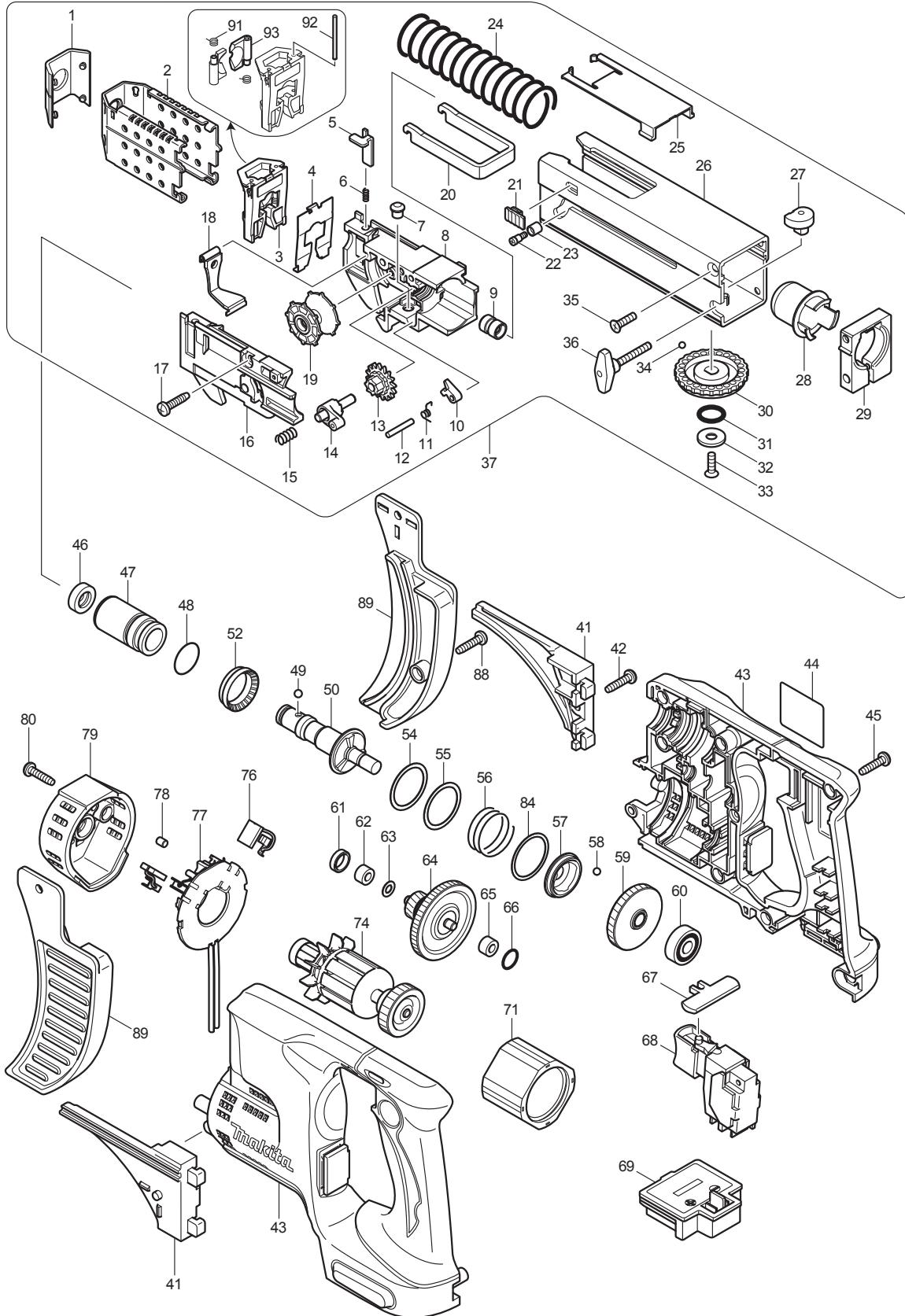




04 - 2014  
DFR750Z  
18V AUTOFEED SCREWDRIVER



Item No	Type	Sub	Part No	Description	Qty	Unit
001			424043-2	CAP	1	PC.
002			345841-0	STOPPER BASE 75	1	PC.
003			140493-0	GUIDE BOX COMPLETE	1	PC.
		INC.		Item No. 4,91,92,93		
004			346269-5	GUARD	1	PC.
005			345837-1	LEVER	2	PC.
006			233211-4	COMPRESSION SPRING 2	2	PC.
007			256451-7	PIN 6	1	PC.
		INC.		Item No. 1-3,5-19,22,23		
008	1		450107-6	* FEEDER BOX	1	PC.
	2		412963-2	* FEEDER BOX	1	PC.
	Opt.		125810-5	FEEDER BOX ASS'Y	1	PC.
009			257685-5	SLEEVE 5	1	PC.
010			310062-3	STOPPER	1	PC.
011			231636-6	TORSION SPRING 4	1	PC.
012			256158-5	PIN 3	1	PC.
013			226344-2	SPUR GEAR 16	1	PC.
014			158374-4	RATCHET ARM COMPLETE	1	PC.
015			233212-2	COMPRESSION SPRING 6	1	PC.
016			158378-6	BOXCOVER COMPLETE	1	PC.
017			265995-6	TAPPING SCREW 4X18	1	PC.
018	1		162201-9	* DUST COVER	1	PC.
	2		162934-6	* DUST COVER	1	PC.
019			416518-5	WHEEL	1	PC.
020			345838-9	PLATE	1	PC.
021			450111-5	STOPPER	2	PC.
022			265177-0	+SHOULDER FLAT HEAD SCREW M3X5	1	PC.
023			257764-9	SLEEVE 4	1	PC.
024			234032-7	COMPRESSION SPRING 23	1	PC.
025			450114-9	CASING COVER	1	PC.
026			142708-1	CASING 75 COMPLETE	1	PC.
		INC.	816886-0	INDICATION LABEL	1	PC.
		INC.	802J50-9	CAUTION LABEL (W/NO BATTERY NO.)	1	PC.
027			310237-4	SHIFTER PIN	1	PC.
028			450110-7	INSULATION SLEEVE	1	PC.
029			318181-9	CLAMPER	1	PC.
030			417056-0	DIAL 42	1	PC.
031			213107-5	O RING 12	1	PC.
032			267201-5	FLAT WASHER 6	1	PC.
033			912117-6	COUNTERSUNK HEAD SCREW M4X12	1	PC.
034			216001-0	STEEL BALL 3.5	1	PC.
035			912117-6	COUNTERSUNK HEAD SCREW M4X12	3	PC.
036			265779-2	THUMB SCREW M4X28	1	PC.
037			126458-6	CASING 75 ASSEMBLY	1	PC.
		INC.		Item No. 1-36		
041			188306-7	SCREW GUIDE SET	1	PC.
042			265995-6	TAPPING SCREW 4X18	1	PC.
043			187478-5	HOUSING SET	1	SET
044			850D69-6	NAME PLATE F/DFR750	1	PC.
045			265995-6	TAPPING SCREW 4X18	9	PC.
046			421467-3	DUST COVER	1	PC.
047			214172-7	PLANE BEARING 14	1	PC.
048			213262-3	O RING 18	1	PC.
049			216001-0	STEEL BALL 3.5	1	PC.
050			324807-3	SPINDLE A	1	PC.

Item No	Type	Sub	Part No	Description	Qty	Unit
052			421927-5	SLEEVE 20	1	PC.
054			267331-2	FLAT WASHER 25	1	PC.
055			267331-2	FLAT WASHER 25	1	PC.
056			234017-3	COMPRESSEION SPRING 25	1	PC.
057			223169-5	CLUTCH CAM C	1	PC.
058			216008-6	STEEL BALL 4	3	PC.
059			226670-9	HELICAL GEAR 48	1	PC.
060			211034-0	BALL BEARING 608	1	PC.
061			165115-1	RUBBER SLEEVE 10	1	PC.
062			214017-9	PLANE BEARING 5	1	PC.
063			253811-4	FLAT WASHER 5	1	PC.
064			154937-4	GEAR COMPLETE 18-44	1	PC.
065			214017-9	PLANE BEARING 5	1	PC.
066			213055-8	O RING 10	1	PC.
067			419304-3	F/R CHANGE LEVER	1	PC.
068			650670-1	SWITCH TG513SBA-2	1	PC.
069			643860-3	TERMINAL	1	PC.
071			638426-2	YOKE UNIT	1	PC.
074			619216-2	ARMATURE	1	PC.
076			195021-6	CARBON BRUSH CB-440 2PC/SET W/ ORIGIN	1	SET
077			638433-5	BRUSH HOLDER COMPLETE	1	PC.
		INC.	231696-8	TORSION SPRING R	1	PC.
		INC.	231697-6	TORSION SPRING L	1	PC.
078			263032-0	RUBBER PIN 4	2	PC.
079			419307-7	FRONT COVER	1	PC.
080			265995-6	TAPPING SCREW 4X18	2	PC.
084			267332-0	FLAT WASHER 26	1	PC.
088			265995-6	TAPPING SCREW 4X18	2	PC.
089			188310-6	GUIDE ATTACHMENT SET	1	SET
091			233567-5	TORSION SPRING 4	2	PC.
092			268188-4	PIN 2	2	PC.
093			310282-9	GUIDE	2	PC.
C01	2		878020-0	CARTON F/DFR750Z	1	PC.
D01			654510-5	INSULATED CONNECTOR 5.5-SD	1	PC.
E01			620122-6	CONTROLLER	1	PC.

### **ACCESSORIES**

- See catalogue or visit [www.makita.ca](http://www.makita.ca). for optional accessory -

A01			281217-6	HOOK(BELT CLIP)	1	PC.
A02			784647-5	DRIVER BITS FOR AUTOFEED SCREWDRIVERS	2	PC.
A03			194500-1	EXTENSION HANDLE (Parts Breakdown available)	1	PC.
A04			-----	18V LI-ION BATTERY		
A05			-----	BATTERY CHARGER		
A06			-----	LI-ION BATTERY ACCESSORIES		

### **SERVICE CHANGES**

#### **1. Changes on Feeder Box and Dust Cover**

(T/I/#D4041)

Item No.	Description	Type 1	Type 2
008	Feeder Box	450107-6	412963-2
018	Dust Cover	162201-9	162934-6

Above parts are completely interchangeable as a set.